



Auspactor

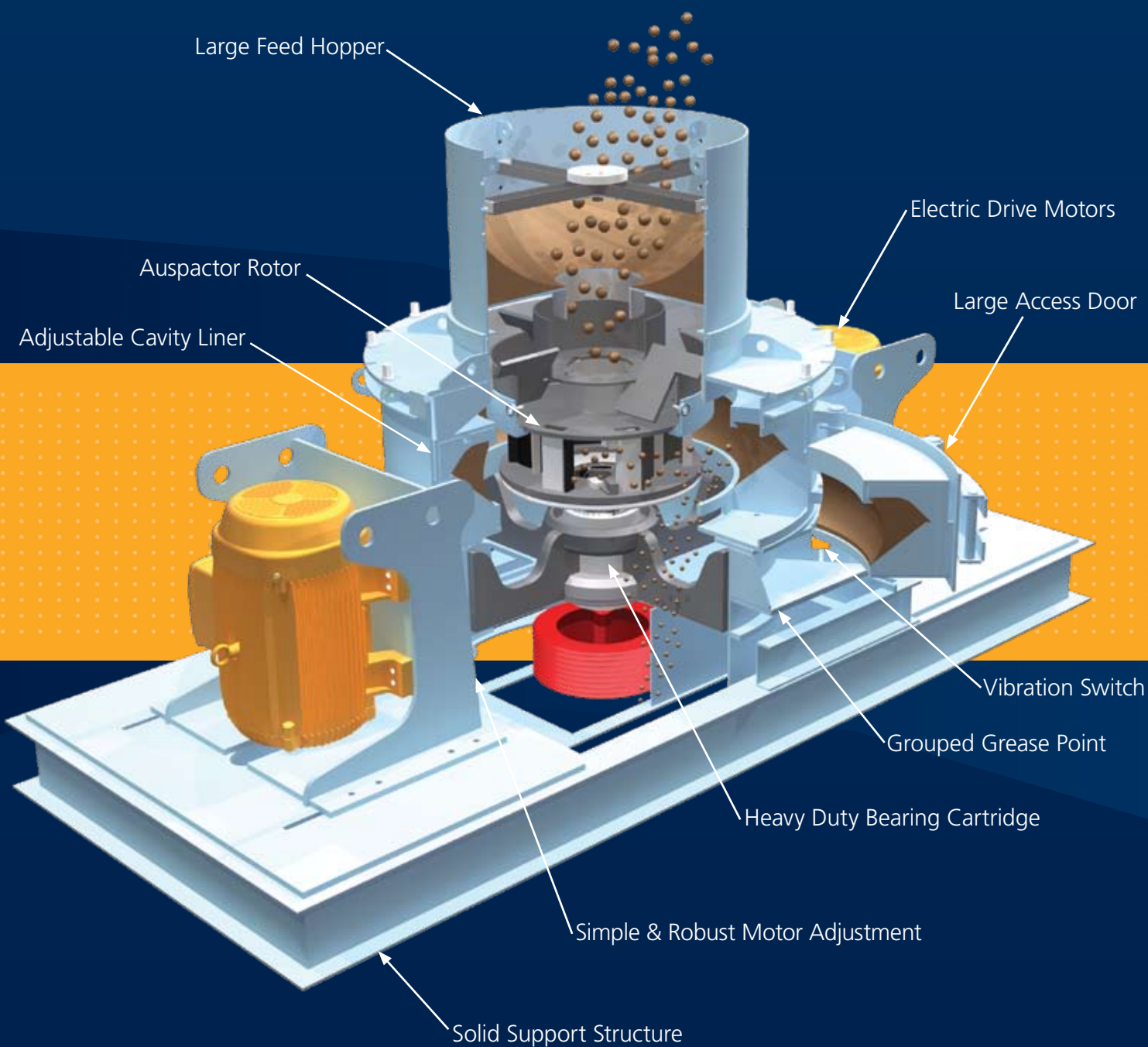
Vertical Shaft Impact Crusher



Crushing & Mining Equipment



Higher capacity • Lower wear cost • Coarser feed and finer product

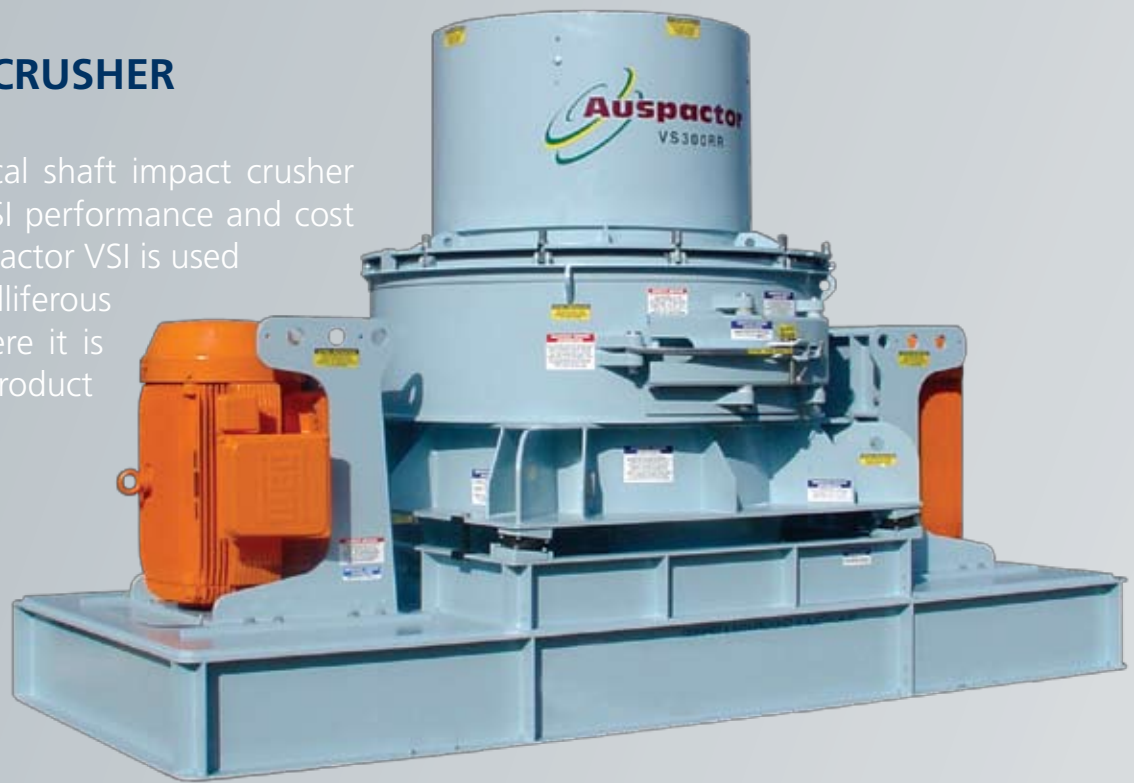


Excels in crushing wet and abrasive material • Low maintenance

AUSPACTOR VSI CRUSHER

CME's Auspactor vertical shaft impact crusher is the benchmark in VSI performance and cost effectiveness. The Auspactor VSI is used in quarries and metalliferous mining operations where it is essential to meet strict product specifications for:

- Particle shape
- Manufactured sand
- Fines for mineral extraction



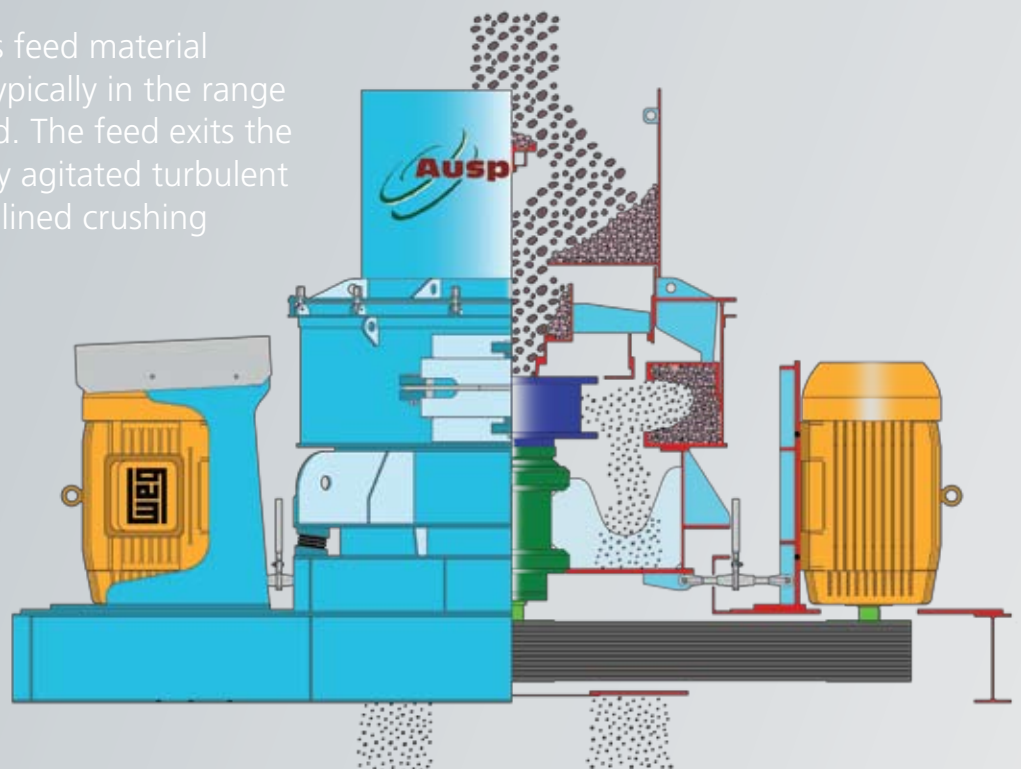
MACHINE RANGE COMMON ARRANGEMENTS

| Model | Drive arrangement | Installed power kW | Feed A.L.D. mm | Throughput tph | Dry weight inc motors |
|---------|-------------------|--------------------|----------------|----------------|-----------------------|
| VS75RR | Single | 1 x 75 | 45 | 75 | 6500 |
| VS75RR | Dual | 2 x 55 | 45 | 110 | 7500 |
| VS100RR | Single | 1 x 160 | 60 | 160 | 9500 |
| VS100RR | Dual | 2 x 110 | 75 | 220 | 11000 |
| VS200RR | Single | 1 x 250 | 75 | 250 | 13000 |
| VS200RR | Dual | 2 x 150 | 75 | 300 | 16000 |
| VS300RR | Single | 1 x 300 | 75 | 300 | 16500 |
| VS300RR | Dual | 2 x 350 | 75 | 600 | 20000 |

OPERATING PRINCIPLE

The Auspactor VSI accelerates feed material through the rotor at speeds typically in the range of 40 to 55 metres per second. The feed exits the rotor to impact into a violently agitated turbulent zone contained within a rock lined crushing chamber.

The design of the Auspactor VSI allows variations to the percentages of shaped aggregates and fines production as required for the mining and quarrying industries.



AUSPACTOR VSI APPLICATIONS



Manufactured sand



Fine metallurgical processing



Shaped aggregates



Fine mineral products for agricultural use

SERVICE & SUPPORT

CME has an experienced team of VSI professionals committed to maintaining a high level of customer service, technical support and product development. With offices in Perth, Sydney and Brisbane CME provides prompt delivery of Auspactor spares and components to local and overseas markets.



AUSPACTOR ROTOR TECHNOLOGY

The smooth outer finish of the Auspactor rotor reduces the airborne fines streaming effect of the rotor and wear parts, resulting in greater intervals between wear component change-outs.



AUSPACTOR ROTOR

TYPICAL ROTOR CAPABILITY

| Model | Profile | Feed A.L.D. mm | Throughput capacity tph |
|-------|----------|-------------------|----------------------------|
| 700 | Standard | 60 | 175 |
| 700 | High | 75 | 300 |
| 850 | Standard | 75 | 400 |
| 850 | High | 75 | 600 |

QUICK AND SIMPLE LIFT-IN /
LIFT-OUT TIP CHANGING



Auspactor rotors have fewer and simpler wear parts

ROTOR BENEFITS

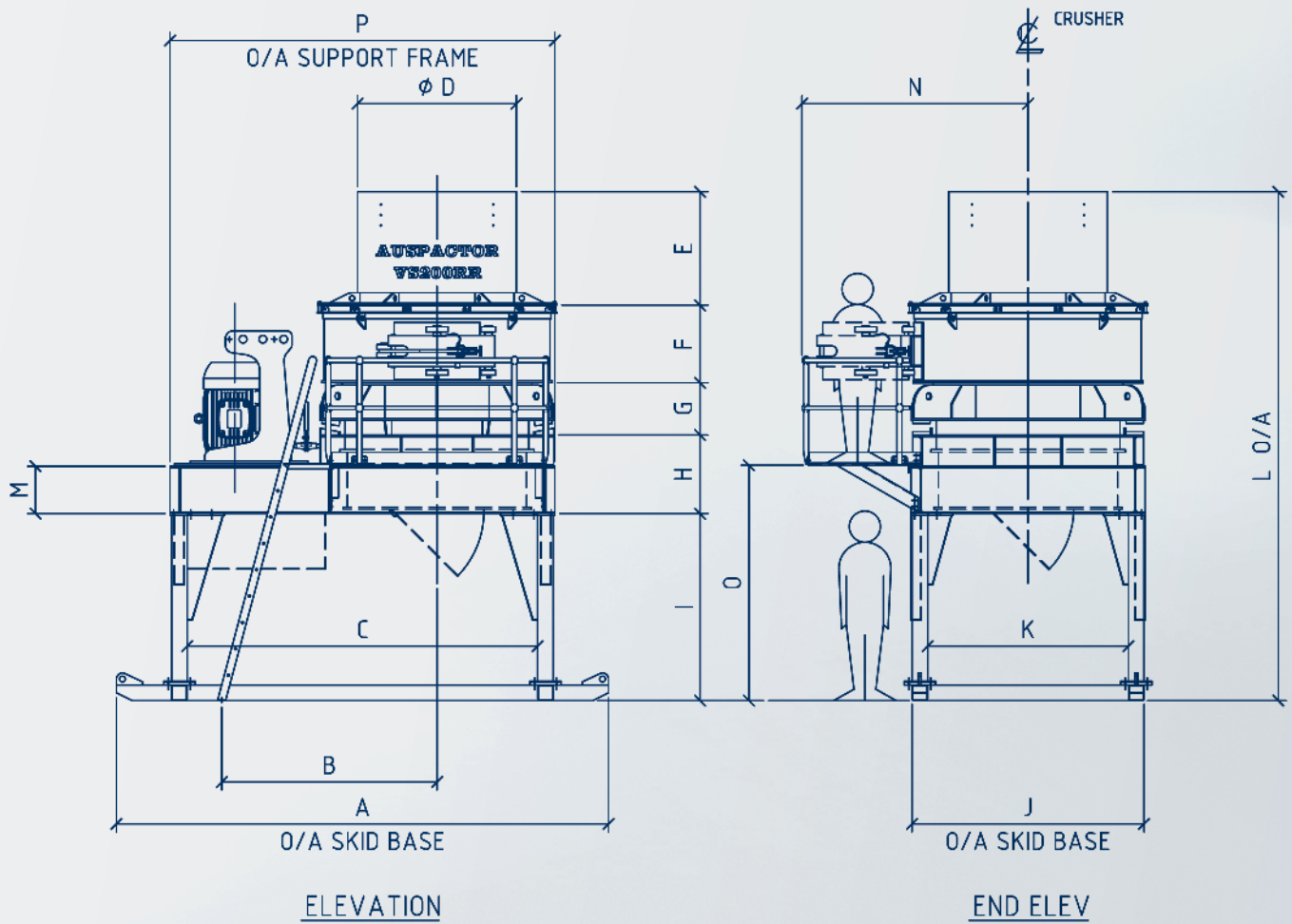
- Easier to change parts
- Less frequent wear part changes
- Higher rotor throughput
- Simple retrofit for any VSI crusher
- Selection of wear parts including patented distributor plate



AUSPACTOR WEAR PARTS

AUSPACTOR SINGLE DRIVE CRUSHER

GENERAL ARRANGEMENT



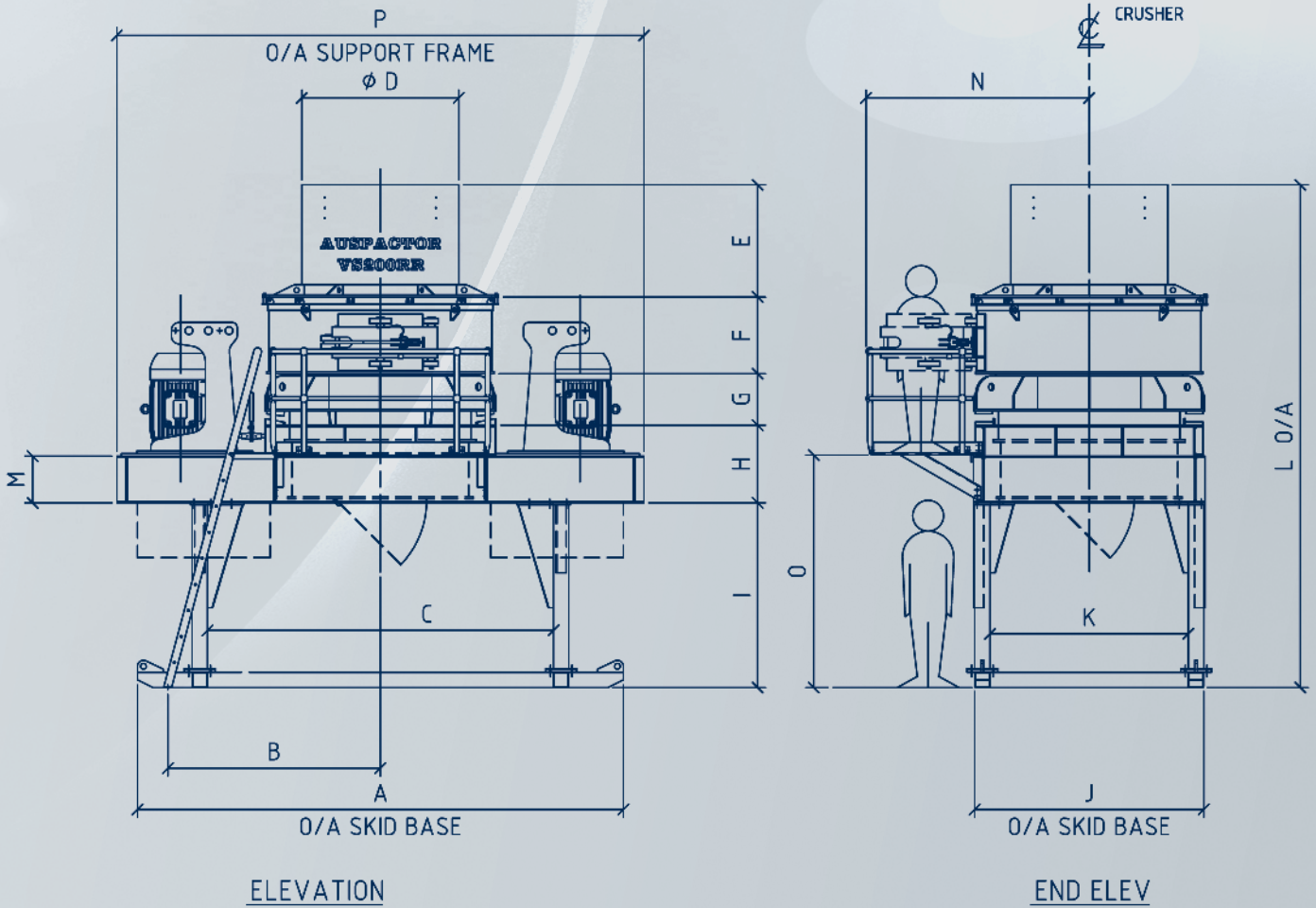
SINGLE DRIVE

AUSPACTOR DIMENSIONAL DATA (MM)

| DIM / MODEL | VS75RR | VS100RR | VS200RR | VS300RR |
|-------------|--------|---------|---------|---------|
| A | 4200 | 4400 | 4725 | 4725 |
| B | 1785 | 1923 | 2066 | 2066 |
| C | 2870 | 3040 | 3365 | 3365 |
| D | 100 | 1286 | 1544 | 1544 |
| E | 764 | 814 | 1095 | 1095 |
| F | 586 | 834 | 740 | 740 |
| G | 244 | 392 | 501 | 556 |
| H | 450 | 457 | 754 | 754 |
| I | 1795 | 1795 | 1795 | 1795 |
| J | 1718 | 1990 | 2228 | 2228 |
| K | 1418 | 1690 | 1928 | 1928 |
| L | 3839 | 4292 | 4885 | 4940 |
| M | 250 | 307 | 454 | 454 |
| N | 1921 | 2058 | 2170 | 2170 |
| O | 2105 | 2105 | 2259 | 2259 |
| P | 3200 | 3370 | 3695 | 3695 |

AUSPACTOR DUAL DRIVE CRUSHER

GENERAL ARRANGEMENT



DUAL DRIVE

AUSPACTOR DIMENSIONAL DATA (MM)

| DIM / MODEL | VS100RR | VS200RR | VS300RR |
|-------------|---------|---------|---------|
| A | 4400 | 4725 | 4725 |
| B | 1923 | 2066 | 2066 |
| C | 3040 | 3365 | 3365 |
| D | 1286 | 1544 | 1544 |
| E | 814 | 1095 | 1095 |
| F | 834 | 740 | 740 |
| G | 392 | 501 | 556 |
| H | 457 | 754 | 754 |
| I | 1795 | 1795 | 1795 |
| J | 1990 | 2228 | 2228 |
| K | 1690 | 1928 | 1928 |
| L | 4292 | 4885 | 4940 |
| M | 307 | 454 | 454 |
| N | 2058 | 2170 | 2170 |
| O | 2105 | 2259 | 2259 |
| P | 4728 | 5126 | 5126 |

DISCLAIMER

The nominal capacities of feed size and throughput shown in this brochure will alter with changes to the actual operating conditions of the Auspactor crusher and variations in the physical characteristics of the feed material. Please contact CME for specific capacity and operating details.

www.crushingandmining.com.au

AUTHORISED AUSPACTOR VSI DEALER

Perth Office

Cnr Lee Rd & Macedonia St, Naval Base
WA 6165 Australia
T: +61 8 9437 1477
F: +61 8 9437 1577
perth@crushingandmining.com.au

Sydney Office

Unit 2 / 64 Edward St, Riverstone
NSW 2765 Australia
T: +61 2 9838 1411
F: +61 2 9838 1433
sydney@crushingandmining.com.au

Brisbane Office

9 Lions Park Dr, Yatala QLD 4207 Australia
PO Box 662, Beenleigh QLD 4207 Australia
T: +61 7 3382 0611
F: +61 7 3382 0187
brisbane@crushingandmining.com.au

Melbourne Office

C:/ Unit 2 / 64 Edward St, Riverstone
NSW 2765 Australia
T: +61 417 934 879
F: +61 3 9398 3953
melbourne@crushingandmining.com.au